

# EDGE™ Series 3

## Medium Capacity, Single Stage Regulators



The **EDGE** regulator offers the best pressure and flow delivery performance available in a single-stage regulator across a full range of cylinder pressures, even when inlet pressures are low.

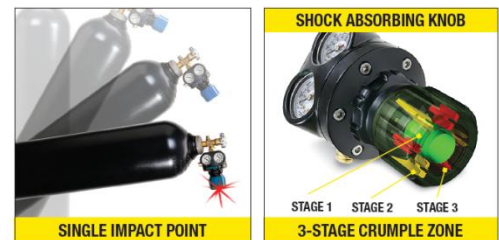
Its compact design makes the regulator less vulnerable to damage in the work environment and the vent system is protected under the knob making it less exposed to weather elements and rainwater. The **SLAM™** (Shock Limitation and Absorption Mechanism) knob protects the regulator and cylinder valve in the event of a cylinder fall and can absorb more than 5,000 ft-lb of force.

- Highly durable colour-coded gauges are recessed and bonnet material is over twice the yield strength of brass.
- Robust seat gives optimum performance
- Consistent pressure and flow delivery
- High resistance to oxygen related fires
- Meets ISO 2503

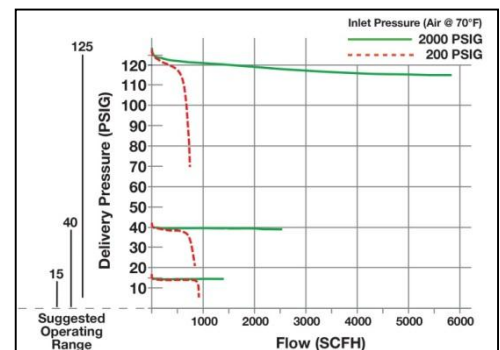
Visit [esab.com](http://esab.com) for more information.

### Industry

- Shipbuilding
- Automotive
- Rail
- Fabrication
- Offshore
- Construction
- Maintenance/Repair



*SLAM knob absorbs impact in the event of a cylinder fall*

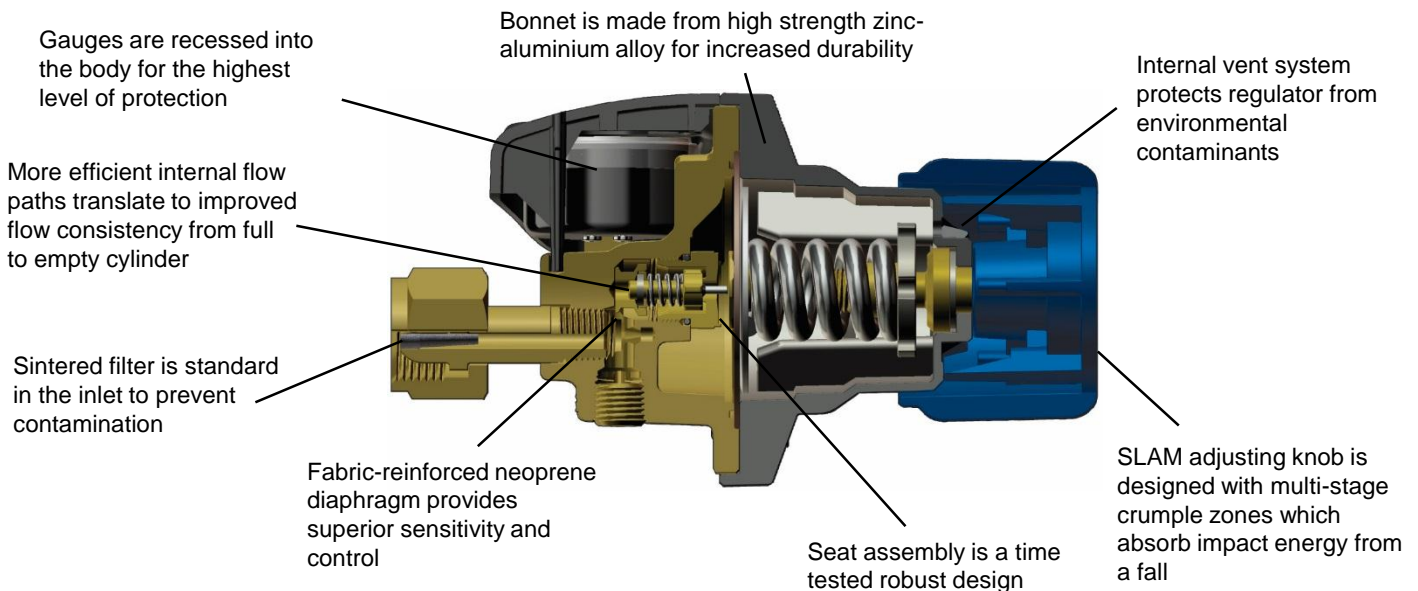


## Technical Data

Model	Gas Service	Gas Pressure	Inlet & Outlet	Inlet Position
EDGE 3 S/S OXY S/E 0-4 Bar	Oxygen	4 bar	5/8" BSP inlet 3/8" BSP outlet RH	Side
EDGE 3 S/S OXY 0-4 Bar	Oxygen	4 bar	5/8" BSP inlet 3/8" BSP outlet RH	Bottom
EDGE 3 S/S OXY S/E 10 Bar	Oxygen	10 bar	5/8" BSP inlet 3/8" BSP outlet RH	Side
EDGE 3 S/S OXY 10 Bar	Oxygen	10 bar	5/8" BSP inlet 3/8" BSP outlet RH	Bottom
EDGE 3 S/S ACET S/E 1.5 Bar	Acetylene	1.5 bar	5/8" BSP inlet 3/8" BSP outlet LH	Side
EDGE 3 S/S ACET 1.5 Bar	Acetylene	1.5 bar	5/8" BSP inlet 3/8" BSP outlet LH	Bottom
EDGE 3 S/S PROP S/E 4 Bar	Propane	4 bar	5/8" BSP inlet 3/8" BSP outlet LH	Side
EDGE3 S/S AR/CO2 S/E 40LPM	Argon/CO <sub>2</sub>	0-40 l/min	5/8" BSP inlet 3/8" BSP outlet RH	Side
EDGE3 S/S CO2 40LPM	CO <sub>2</sub>	0-40 l/min	BS 341 No.8 inlet 3/8" BSP outlet RH	Bottom
EDGE3 S/S AR/CO2 40LPM	Argon/CO <sub>2</sub>	0-40 l/min	5/8" BSP inlet 3/8" BSP outlet RH	Bottom
EDGE 3 S/S INERT 10 Bar	Inert	10 bar	5/8" BSP inlet 3/8" BSP outlet RH	Bottom

## Ordering Information

Model	Description	Part Number
EDGE 3 S/S OXY S/E 0-4 Bar	4 Bar Oxygen Regulator, Side Entry	0700017200
EDGE 3 S/S OXY 0-4 Bar	4 Bar Oxygen Regulator, Bottom Entry	0700017201
EDGE 3 S/S OXY S/E 10 Bar	10 Bar Oxygen Regulator, Side Entry	0700017202
EDGE 3 S/S OXY 10 Bar	10 Bar Oxygen Regulator, Bottom Entry	0700017203
EDGE 3 S/S ACET S/E 1.5 Bar	1.5 Bar Acetylene Regulator, Side Entry	0700017207
EDGE 3 S/S ACET 1.5 Bar	1.5 Bar Acetylene Regulator, Bottom Entry	0700017208
EDGE 3 S/S PROP S/E 4 Bar	4 Bar Propane Regulator, Side Entry	0700017209
EDGE3 S/S AR/CO2 S/E 40LPM	Argon/CO <sub>2</sub> Flow Gauge Regulator, Side Entry	0700017217
EDGE3 S/S CO2 40LPM	CO <sub>2</sub> Flow Gauge Regulator, Bottom Entry	0700017218
EDGE3 S/S AR/CO2 40LPM	Argon/CO <sub>2</sub> Flow Gauge Regulator, Bottom Entry	0700017219
EDGE 3 S/S INERT 10 Bar	10 Bar Inert Gas Regulator, Bottom Entry	0700017220



ESAB / [esab.com](http://esab.com)

COMPANY WITH  
MANAGEMENT SYSTEM  
CERTIFIED BY DNV  
= ISO 9001 =  
= ISO 14001 =  
= OHSAS 18001 =